



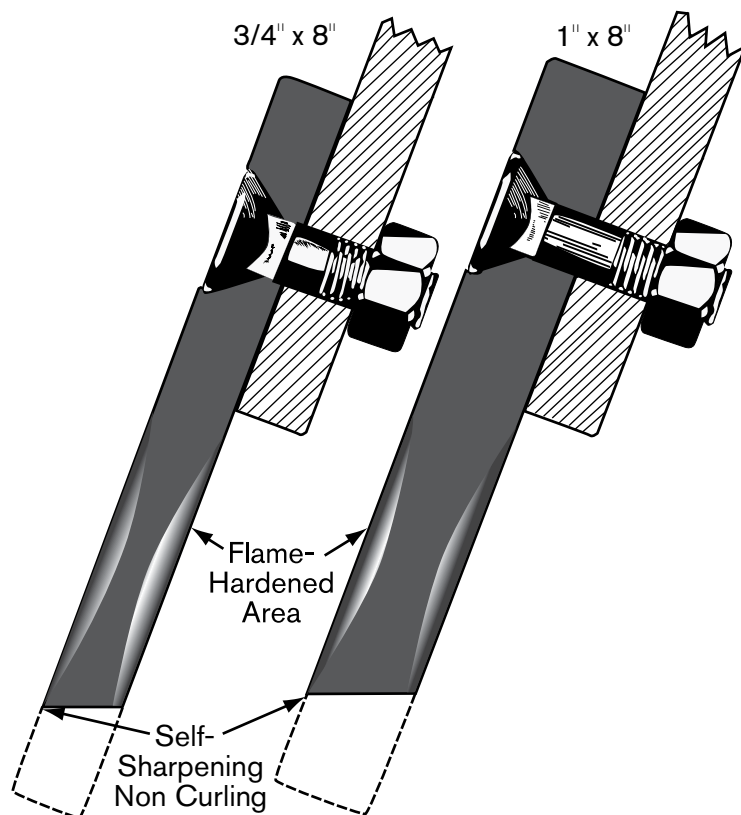
ESCO Snow Plow Blade Products



Snow Plow Blade Products



ESCO offers the most complete line of blades and accessories for the snow plow market – all with well known ESCO Blades quality. All edges are precision punched for quick and easy mounting and are produced from only the highest quality steels. Plows will keep running longer, with fewer changes when they're equipped with ESCO snow plow blades and shoes.



Flame-Hardened Blades

Longest life compared to high carbon steel or hardened blades

- Two or more times the wear life of high carbon steel or hardened blades of the same size
- Flame-hardened to RC62±5

Maximum penetration through snow and compacted ice

- Leading and trailing surfaces wear slowly and cleanly continually sharpening the cutting edge and preventing slivering

Lowest cost per mile compared to high carbon steel or hardened blades

- Cuts ice and compacted snow for cleaner roads on the first pass
- Because they maintain sharp leading edges, less horsepower and fuel is required to cut ice and move compacted snow

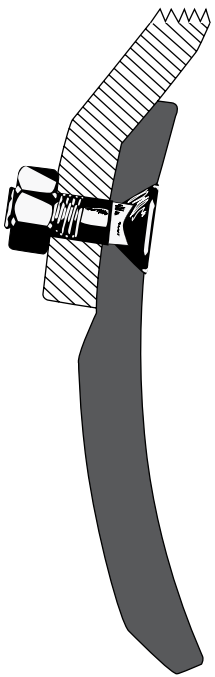
Less down time

- Superior wear resistance means fewer blade changes
- Equipment stays on the road, not in the shop



Snow Plow Blade Products

X-TRA-EDGE® Flame-Hardened Grader Blades



Up to 6 times more wear life than standard steel blades

- More usable steel on the wear edge reduces waste
- Up to 300% more wear metal
- Reduced throw-away

Carbide Inserted Blades

Minimize down time

- Longer wear life than any other type of snow plow blade
- Feature permanent virgin tungsten carbide inserts, the strongest and most wear-resistant material in the world
- Inserts resist abrasion up to 30 times longer than steel alone

Excellent for long runs and high speeds

- Best choice for major highways and airport runways
- Maintains a clean, sharp cutting edge

ForgeTemp® Carbon Steel Blades

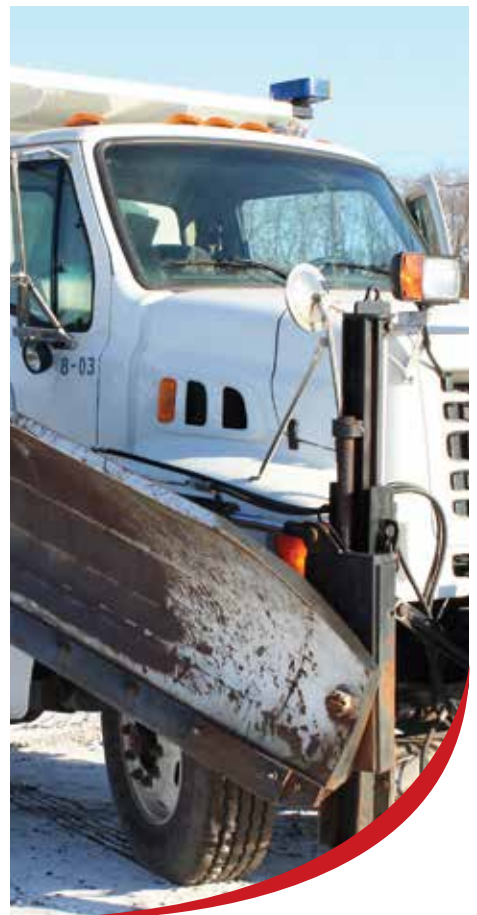
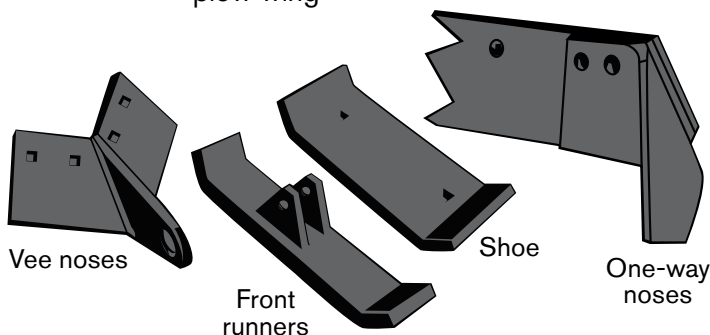
Economical blade option

- Excellent balance of abrasion resistance and impact protection
- Modular sections for quick and easy mounting
- Standard bolt hole patterns for all popular machines

Snow Plow Accessories

Protect equipment and lower operating costs

- Wide line of accessories for efficient snow and ice removal; including one-way and vee noses, front runners and shoes
- Precision engineered for every make and model of plow wing





www.escocorp.com