

Elite

Valve Canada

E1500 Stainless Steel Ball Valves

Ball Valves

Knife Gate Valves

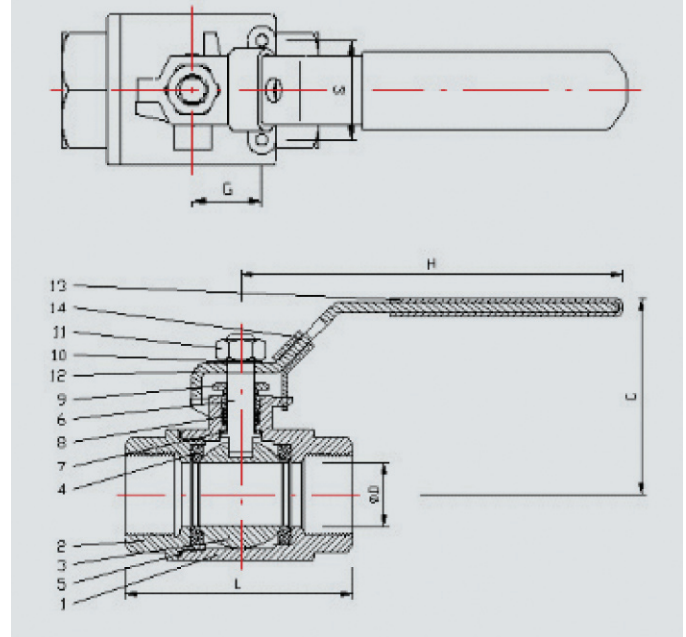
Actuators



E1500

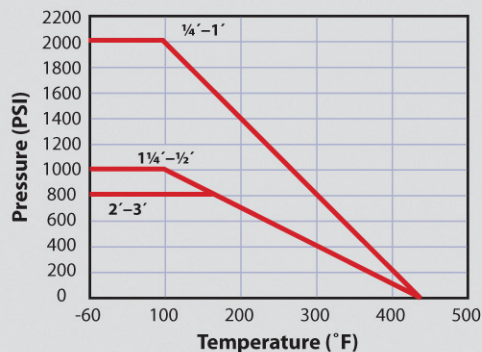


Outline Drawing



Technical Specifications / Body Material

Adjustable Stem Packing	1	Body	316SS ANSI (CF8M)	1
ISO Lockable Handles	2	Cap	316SS ANSI (CF8M)	1
Full Port Flow Paths	3	Ball	316SS ANSI (CF8M)	1
Solid Ball Construction	4	Seat	15% Reinforced glass & teflon	2
RPTFE Seats Standard	5	Body Seal	Teflon	1
Investment Cast Bodies	6	Stem	316SS ANSI (CF8M)	1
Blow-out proof stem S/S 316	7	Thrust Washer	Teflon	1
316 Stainless Steel Body & Ball	8	Stem Packing	Teflon	2
100% tested air under water at 100 PSI	9	Gland Nut	ANSI 304	1
Thread Ends: NPT	10	Stem Washer	ANSI 304	1
Optional PTFE Seats Available	11	Stem Nut	A2-70	1
1000 PSI WOG rated Sizes 1/4" to 3"	12	Handle	ANSI 304	1
Temperature Range: -60 to 450 °F	13	Handle Grip	Plastic	1
For food and general chemical industrial applications	14	Locking Device	ANSI 304	1



Size	CV	Torque	Weight (KG)
1/4"	9	50	0.3
3/8"	9	50	0.3
1/2"	15	50	0.4
3/4"	50	130	0.6
1"	60	180	0.95
1-1/4"	110	230	1.45
1-1/2"	130	230	2.25
2"	360	450	3.30